

PRODUCT NAME:
**PRE-RINSE SPRING STYLE
 SINGLE DECK DUAL CONTROL**

Item: #**PRDSD-1F**

FEATURES

- CONTROL VALVE**
- * SINGLE DECK DUAL CONTROL
 - * INTERNAL SPRING LOADED CHECK VALVES
 - * SWIVELLING SEAT DISKS
 - * HOT SIDE STEM - RIGHT HAND
 - * COLD SIDE STEM - LEFT HAND
 - * STAINLESS STEEL SEATS
 - * STAINLESS STEEL SEAT SCREWS
 - * STAINLESS STEEL HANDLE SCREWS
 - * STAINLESS STEEL BRAIDED INLET HOSES

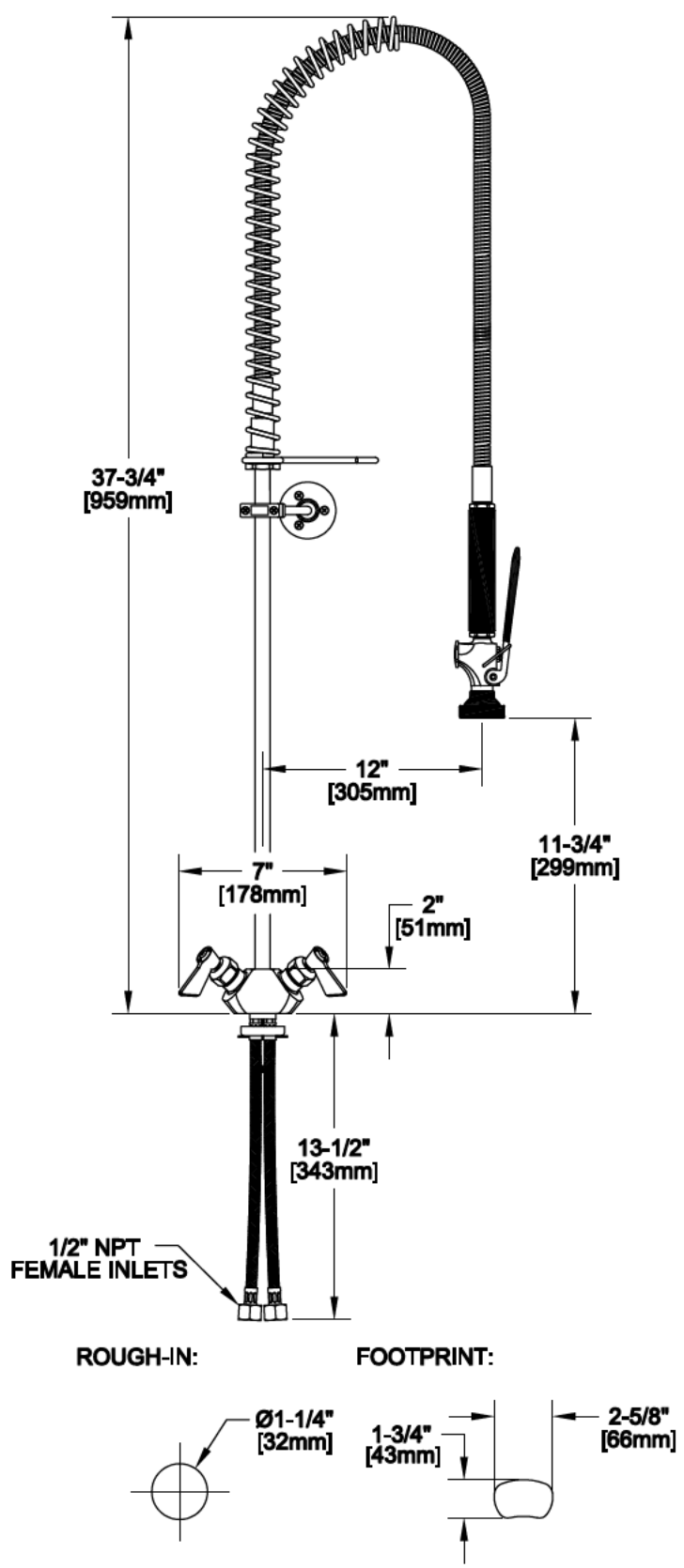
- HOSE**
- * 36" LENGTH
 - * STAINLESS STEEL END FITTINGS
 - * STAINLESS STEEL EXTERNAL JACKET
 - * 3 PLY FIBER REINFORCED INTERNAL RUBBER HOSE
 - * REPAIRABLE IN FIELD WITH SIMPLE TOOLS

- ULTRA SPRAY VALVE**
- * LOWEST ENERGY USER - 1.15 GPM @ 60 PSI
 - * CLEANS FASTER - TEST PROVEN
 - * ENGINEERED TO LAST - NO 'O' RINGS TO LEAK
 - * INTERCHANGEABLE - FITS ALL BRANDS

- WALL BRACKET**
- * ADJUSTS FROM 2" TO 12"

- SYSTEM LIMITS**
- * TEMP: 40°F MIN. TO 140°F MAX.
 - * PRESSURE: 200 PSI MAX. STATIC

- SHIPPING WEIGHT**
- * 12.0 LBS



Distributed by:
 E.D.A. International Corp. / MBH International Sales, Inc.
 4907 SW 75th Ave.
 Miami, FL 33155, USA
 Phone: (305) 669-1894; Fax: (305) 669-1797
 e-mail: sales@edainternational.com / sales@mbhny.com

EPAct 2005 Compliant



ANSI/A112.18.1M