

Built-in accessories mini-catalog

Solutions for fast food, c-store, and coffee shop cabinets and fixtures



DISPENSE-RITE®

E.D.A. International Corp.
sales@edainternational.com

THE *RITE* DISPENSER FOR EVERY APPLICATION

PRECISION ADJUSTMENT CLIPS

INTERCHANGEABLE SILICONE BAFFLES

ONE-SIZE-FITS-ALL

ABS PLASTIC CONSTRUCTION

STAINLESS STEEL CONSTRUCTION

NSF LISTED

DISPENSE-RITE quality cup dispensers are offered with three alternative dispensing mechanisms in either ABS plastic or stainless steel.

STL Series and ADJ Series cup dispensers utilize a precision three clip adjustment mechanism to ensure the exacting fit for a particular cup or container size.

SLR Series and BFL Series cup dispensers utilize an interchangeable baffle gasket system for operators preferring the simplicity of a self-adjusting dispenser.

SLR-LID Series lid dispensers utilize a polycarbonate front cover to provide lid dispensing simplicity with no adjustment required.

Dispensers are provided with calibrated compression springs and require no rear fabrication for mounting. All models are NSF Listed.

STL SERIES



STL SERIES ABS PLASTIC ADJUSTABLE CUP DISPENSERS

Our exclusive precision adjustment mechanism allows simple and fast adjustment of these dispensers to accommodate a range of cup sizes from 8 oz. to 44 oz. Quality ABS plastic construction provides an economical dispensing solution. Innovative design allows the dispenser to be easily adjusted in the counter without the use of tools.

DISPENSE-RITE
simple and fast
precision adjustment
mechanism



SLR SERIES



SLR SERIES ABS PLASTIC INTERCHANGEABLE BAFFLE CUP DISPENSERS

Our interchangeable baffle system accommodates a full range of cup sizes from 4 oz. to 44 oz. Quality ABS plastic construction provides an economical dispensing solution. Innovative design allows the baffle to be easily replaced without removing from the counter. No adjustment is required with any of the SLR Series interchangeable baffle cup dispensers.

DISPENSE-RITE
interchangeable
baffle gasket
system



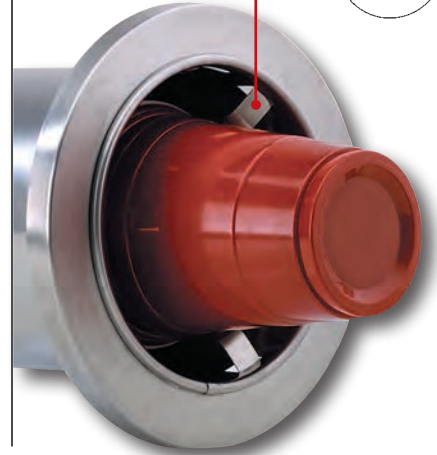
▽ CUP & LID DISPENSER PRODUCT OVERVIEW

ADJ SERIES



DISPENSE-RITE
exclusive spring-clip
precision adjustment
mechanism

NSF.



ADJ SERIES STAINLESS STEEL ADJUSTABLE CUP DISPENSERS

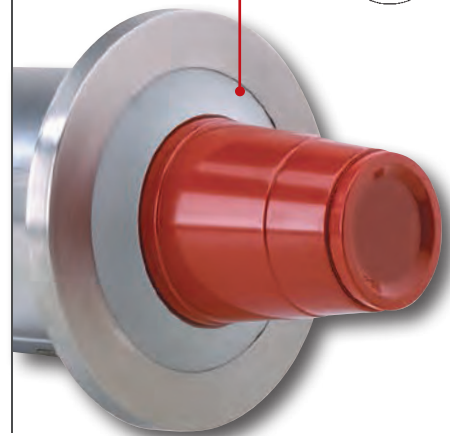
Our exclusive precision adjustment mechanism allows simple and fast adjustment of these dispensers to accommodate a full range of cup sizes from 4 oz. to 64 oz. This unique dispenser design utilizes three stainless steel spring clips to combine a full range of adjustment with long-term cup dispensing reliability.

BFL SERIES



DISPENSE-RITE
interchangeable
baffle gasket
system

NSF.



BFL SERIES STAINLESS STEEL INTERCHANGEABLE BAFFLE CUP DISPENSERS

Our interchangeable baffle system accommodates a full range of cup sizes from 8 oz. to 64 oz. The silicone rubber baffles are made from the highest quality materials available. No adjustment is required with any of the BFL Series interchangeable baffle cup dispensers.

SLR-LID SERIES



DISPENSE-RITE
lid dispenser
design requires
no adjustment

NSF.



SLR-LID SERIES ABS PLASTIC SPRING LOADED LID DISPENSERS

Lid dispensers are designed to combine simplicity with dependability for long-term reliability and maximum cost savings. This sanitary beverage lid dispenser requires no adjustment and is available for a variety of in-counter and countertop applications. Lid stacks are enclosed to protect from potential contamination due to spills, splashes and sneezes.



FMVL-1



FMVL-2



FMVL-3



FMVL-4



FMVDL-3



FMVS-1



FMN-1BT



FMN-1BT

TEXTURED BLACK POLYSTYRENE CONSTRUCTION

Model Number	Item Description	Dimensions H x W x D	Cut-Out Dimensions
FMVL-1	Built-in 1 Section Lid Organizer	7" x 7" x 5½"	5¼" x 5½"
FMVL-2	Built-in 2 Section Lid Organizer	18" x 7" x 5½"	16¼" x 5½"
FMVL-3	Built-in 3 Section Lid Organizer	26" x 7" x 5½"	24½" x 5½"
FMVL-4	Built-in 4 Section Lid Organizer	33¾" x 7" x 5½"	32¾" x 5½"
FMVDL-3	Built-in 3 Section Dome Lid & Straw Organizer	26" x 7" x 8"	24½" x 5½"
FMVS-1	Built-in 1 Section Straw Organizer	6¼" x 11½" x 5½"	5½" x 10½"
FMN-1BT	Built-in Dispenser - 4½"-5" x 6½" Napkins	6" x 7" x 12¼"	4½" x 5½"
FMN-1BT	Built-in Dispenser - 4½"-5" x 6½" Napkins	6¼" x 8½" x 5½"	5¼" x 7½"



FML-2



FML-3



FML-4



FMC-4



FMC-7

GLOSS BLACK ACRYLIC CONSTRUCTION



FMN-1



FMN-2

GLOSS BLACK ACRYLIC CONSTRUCTION

Model Number	Item Description	Dimensions H x W x D	Cut-Out Dimensions
FML-2	Built-in 2 Section Lid Organizer	7¼" x 11" x 5¾"	6¼" x 10"
FML-3	Built-in 3 Section Lid Organizer	7¼" x 16" x 5¾"	6¼" x 15"
FML-4	Built-in 4 Section Lid Organizer	7¼" x 21" x 5¾"	6¼" x 20"
FMC-4	Built-in 4 Section Condiment Organizer	7¼" x 12" x 5¾"	6¼" x 11"
FMC-7	Built-in 7 Section Condiment Organizer	7¼" x 20" x 5¾"	6¼" x 19"
FMN-1	Built-in Dispenser - 4½"-5" x 6½" Napkins	6¼" x 8½" x 5½"	5¼" x 7½"
FMN-2	Built-in Dispenser - 3½"-4" x 6½" Napkins	5¼" x 8½" x 5½"	4¼" x 7½"

▽ BUILT-IN FLUSH MOUNT FLATWARE ORGANIZERS



FMSH-2BT



FMSH-3BT

FMSH SERIES BUILT-IN FLUSH MOUNT FLATWARE ORGANIZERS

Built-in flatware organizers feature durable polystyrene construction.

Includes removable perforated plastic inserts which can hold plastic cutlery, silverware or condiment packets.

Model Number	Item Description	Dimensions H x W x D	Cut-Out Dimensions
FMSH-2BT	2 Section Flatware Organizer	7½" x 12⅞" x 8¾"	6¾" x 11⅞"
FMSH-3BT	3 Section Flatware Organizer	7½" x 17⅞" x 8¾"	6¾" x 16⅞"

▽ BUILT-IN FLUSH MOUNT STRAW ORGANIZERS



FMVS-2SBT



FMVS-2LBT

FMVS SERIES BUILT-IN FLUSH MOUNT STRAW ORGANIZERS

Built-in straw organizers feature durable polystyrene construction.

Available for standard and jumbo length straws.

Model Number	Item Description	Dimensions H x W x D	Cut-Out Dimensions
FMVS-2SBT	2 Section Standard Straw Organizer	7¼" x 6½" x 9½"	6⅝" x 5⅝"
FMVS-2LBT	2 Section Jumbo Straw Organizer	7¼" x 6½" x 11"	6⅝" x 5⅝"

▽ BUILT-IN FLUSH MOUNT TRASH DOORS



FMTD-1BT



FMTD-2BT



FMTD-3BT

FMTD SERIES BUILT-IN FLUSH MOUNT TRASH DOORS

Built-in trash doors feature quality polystyrene construction. Units have smooth edges and a gravity fed self closing door.

Trash doors are available in small, medium and large widths for a variety of counter configurations.

Model Number	Item Description	Dimensions H x W x D	Cut-Out Dimensions
FMTD-1BT	Built-in Small Flush Mount Trash Door	7½" x 10⅝" x 2¼"	6⅞" x 9⅓⅛"
FMTD-2BT	Built-in Medium Flush Mount Trash Door	7½" x 13¼" x 2¼"	6⅞" x 12⅝⅛"
FMTD-3BT	Built-in Large Flush Mount Trash Door	7½" x 17⅝" x 2¼"	6⅞" x 16⅓⅛"

▽ BUILT-IN FLUSH MOUNT RECYCLE DOORS



FMRD-1BT



FMRD-2BT



FMRD-3BT

FMRD SERIES BUILT-IN FLUSH MOUNT RECYCLE DOORS

Built-in recycle doors feature quality polystyrene construction. Units have smooth edges and a gravity fed self closing door.

Recycle doors are available in small, medium and large widths for a variety of counter configurations.

Model Number	Item Description	Dimensions H x W x D	Cut-Out Dimensions
FMRD-1BT	Built-in Small Flush Mount Recycle Door	7½" x 10⅝" x 2¼"	6⅞" x 9⅓⅛"
FMRD-2BT	Built-in Medium Flush Mount Recycle Door	7½" x 13¼" x 2¼"	6⅞" x 12⅝⅛"
FMRD-3BT	Built-in Large Flush Mount Recycle Door	7½" x 17⅝" x 2¼"	6⅞" x 16⅓⅛"

BLACK POLYSTYRENE CONSTRUCTION

▽ BUILT-IN FLUSH MOUNT TISSUE DISPENSER & BAG ORGANIZER

FMT-1BT BUILT-IN FLUSH MOUNT TISSUE DISPENSER

Built-in tissue dispenser features quality polystyrene construction. Accepts most midget size waxed paper tissues. Two box system combines easy loading and simple installation in the counter.



FMT-1BT



FMB-1BT

FMB-1BT BUILT-IN FLUSH MOUNT BAG ORGANIZER

Built-in bag organizer features quality polystyrene construction. Two compartment organizer accepts a variety of bags up to 9" wide.

Model Number	Item Description	Dimensions H x W x D	Cut-Out Dimensions
FMT-1BT	Built-in Flush Mount Tissue Dispenser	8" x 8¼" x 3½"	7½" x 7⅞"
FMB-1BT	Built-in Flush Mount Bag Organizer	7½" x 10⅝" x 11½"	5¼" x 9⅞"

▽ DROP-IN TRASH CHUTES



TTC-2BT



TTC-3BT



TTC-4BT

Model Number	Item Description	Dimensions H x Diameter	Cut-Out Dimensions
TTC-2BT	Drop-in Small Trash Chute	6⅞" x 7¼"	6¼"
TTC-3BT	Drop-in Medium Trash Chute	6⅞" x 9¼"	8¼"
TTC-4BT	Drop-in Large Trash Chute	6⅞" x 11¼"	10¼"

TTC SERIES TRASH CHUTES

Drop-in trash chutes feature quality polystyrene construction. Units have smooth edges and an open bottom.

Units are available in small, medium and large diameter sizes for a variety of counter configurations and trash receptacle sizes.

BLACK POLYSTYRENE CONSTRUCTION

▽ **BUILT-IN NAPKIN DISPENSERS**

STAINLESS STEEL CONSTRUCTION



CMND-1V

**CMND SERIES BUILT-IN
FULL FOLD NAPKIN DISPENSERS**

Built-in napkin dispensers feature quality stainless steel construction.

Units are available for horizontal or vertical dispensing applications.

The CMND Series dispenses full fold napkin sizes 4½"–5" x 6½".



CMND-1

Model Number	Item Description	Dimensions H x W x D	Cut-Out Dimensions
CMND-1V	Built-in Vertical Napkin Dispenser	6⅞" x 8¾" x 12⅞"	5¼" x 7"
CMND-1	Built-in Horizontal Napkin Dispenser	6⅞" x 8¾" x 12⅞"	5¼" x 7"

▽ DROP-IN CONDIMENT & STRAW ORGANIZERS

TCD
SERIES

TCD SERIES & TSD-1C CONDIMENT & STRAW ORGANIZERS

Condiment and straw organizers feature quality stainless steel construction.

The TCD Series units have a welded bottom cap which eliminates sharp edges. These units are designed for a drop in application.

The TSD-1C includes a stainless quick release mounting collar for secure installation in the counter.



TCD-1



TCD-2



TSD-1C

Model Number	Item Description	Dimensions H x Diameter	Cut-Out Dimensions
TCD-1	Drop-in Small Condiment Holder	6¼" x 6¾"	5⅝"
TCD-2	Drop-in Large Condiment Holder	6¼" x 7⅝"	6¼"
TSD-1C	Built-in Straw Holder with Mounting Collar	6" x 5⅝"	4"

▽ DROP-IN TRASH CHUTES



TCD-2-NB

Hemmed bottom,
no sharp edges



TCD-3-NB



TCD SERIES TRASH CHUTES

Drop-in trash chutes feature quality stainless steel construction.

All units have smooth edges and a hemmed bottom eliminates any potential for sharp edges.

Units are available in small and medium diameter sizes.

Model Number	Item Description	Dimensions H x Diameter	Cut-Out Dimensions
TCD-2-NB	Drop-in Small Trash Chute	6" x 7⅝"	6¼"
TCD-3-NB	Drop-in Medium Trash Chute	6" x 9⅝"	8¼"

STAINLESS STEEL CONSTRUCTION

PRECISION ADJUSTMENT DISPENSING FLEXIBILITY

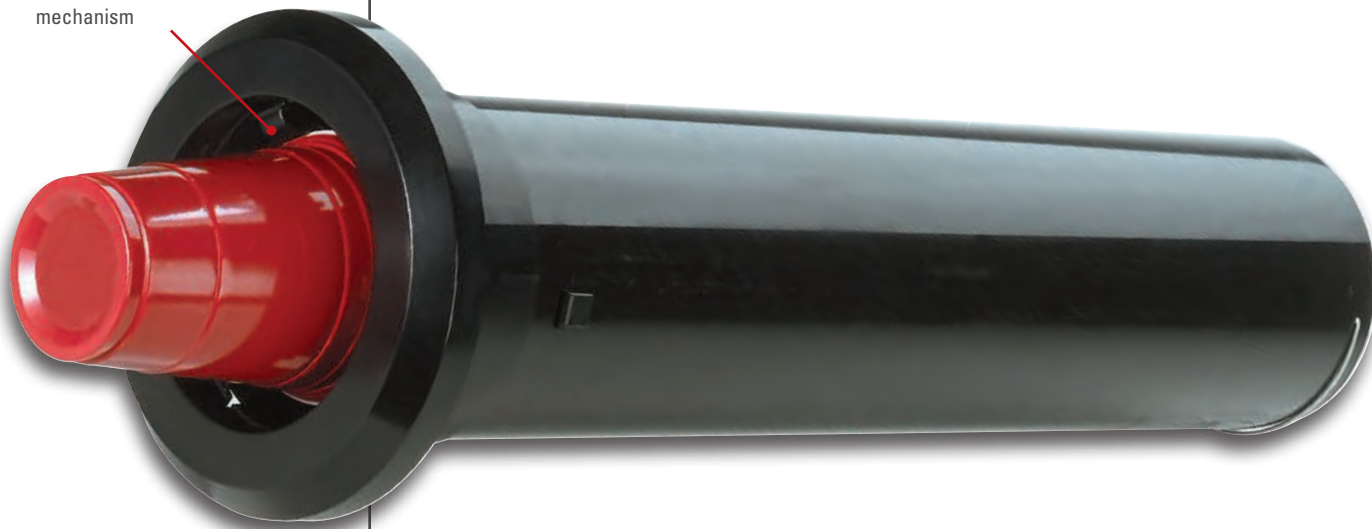
ABS PLASTIC CONSTRUCTION

STL SERIES ONE-SIZE-FITS-ALL IN-COUNTER ADJUSTABLE CUP DISPENSERS

DISPENSE-RITE STL Series cup dispensers feature quality ABS plastic construction combined a simple and fast tool free adjustment mechanism to adjust for cup sizes ranging from 8 oz. to 44 oz.

A calibrated compression spring ensures one at a time dispensing in horizontal, angled or vertical mounting positions. The integrated mounting collar fully supports the dispenser in horizontal, angled or vertical mounting positions; no additional support is necessary. All models are NSF listed.

DISPENSE-RITE
simple and fast
precision adjustment
mechanism



DISPENSE-RITE's precision three clip adjustment mechanism allows the dispenser to be adjusted without using hand tools or removing from the counter. This dispenser offers simple and fast adjustment for a full range of cup sizes.



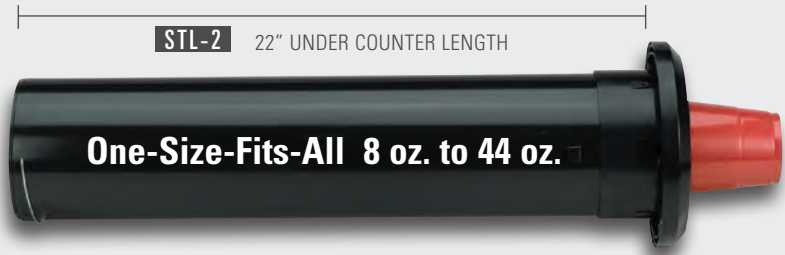
The **STL-2** is a **One-Size-Fits-All** model that offers maximum dispensing flexibility. This unit is designed to accommodate a variety of 8 oz. to 44 oz. paper, plastic or foam cups with rim diameters ranging in size from 3 1/8"–4 1/2". This model comes in three under counter lengths: 22", 17" and 28". The STL-2 models require a 5/4" hole cut-out.



Model Number	Cup Rim Diameter Range	Under Counter Length	Ring Bezel Diameter	Mounting Hole Cut-Out
STL-2	3 1/8"–4 1/2"	22"	7 1/8"	5 1/4"
STL-2S	3 1/8"–4 1/2"	17"	7 1/8"	5 1/4"
STL-2L	3 1/8"–4 1/2"	28"	7 1/8"	5 1/4"

**STL-2, STL-2S AND STL-2L ONE-SIZE-FITS-ALL
IN-COUNTER ADJUSTABLE CUP DISPENSERS**

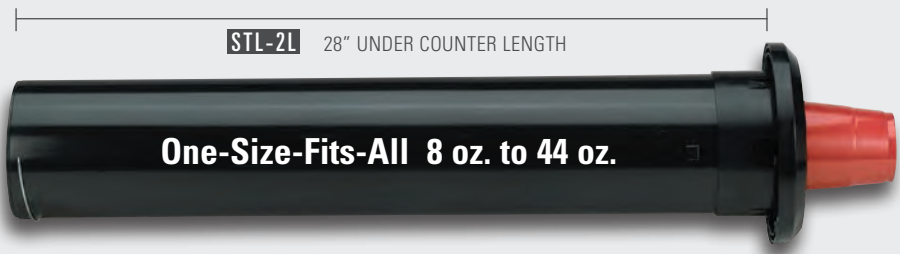
These dispensers accommodate a variety of 8 oz. to 44 oz. paper, plastic or foam cups with rim diameters ranging in size from 3 1/8" – 4 1/2". The STL-2 models require a 5 1/4" hole. With three under counter lengths to choose from the STL-2 cup dispenser can be ordered to suit your particular installation requirements.



STL-2 22" UNDER COUNTER LENGTH



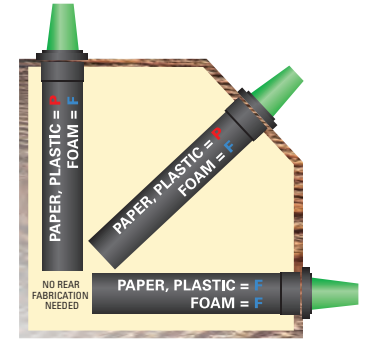
STL-2S 17" UNDER COUNTER LENGTH



STL-2L 28" UNDER COUNTER LENGTH

- Models above ship with 2 different compression springs: "F" & "P". See spring configuration chart in upper right for more details.
- Ounce capacities are provided for reference only. Always verify cup rim diameter prior to ordering.

Spring Configurations ▽



Cup Type	Position	Spring
Foam Cups	: Any Position	: F Spring
Paper Cups	: Horizontal	: F Spring
Plastic Cups	: Horizontal	: F Spring
Paper Cups	: Angled	: P Spring
Plastic Cups	: Angled	: P Spring
Paper Cups	: Vertical	: P Spring
Plastic Cups	: Vertical	: P Spring

Dispensers ship with both the "F" and "P" compression springs. Single spring models are available; see price list for additional information.

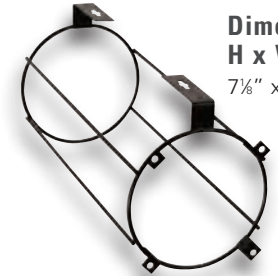
Color Ring Bezels ▽

Optional colored ring bezels are available in this popular color:



- SILVER SATIN (stainless faux finish)

Under Counter Bracket ▽



**Dimensions
H x W x D**
7 1/2" x 6" x 15 1/4"

The optional **STL-2-SMB** wire surface mount bracket mounts to any flat surface or wire shelf and allows you to mount a STL-2 cup dispenser in horizontal, vertical or angled positions. Maximum counter lip is 1/2".

GREAT FOR MOUNTING IN-COUNTER CUP DISPENSERS UNDER THE COUNTER



UCMB-2BT

The optional UCMB-2BT under counter mounting bracket is shown here with two STL-2 Series in-counter cup dispensers. UCMB Series mounting brackets are available for the installation of one, two or three in-counter cup dispensers. See page 60 for complete product specifications on the UCMB Series.

ABS PLASTIC CONSTRUCTION

SELF ADJUSTING DISPENSING FLEXIBILITY

ABS PLASTIC CONSTRUCTION

SLR SERIES IN-COUNTER INTERCHANGEABLE BAFFLE CUP DISPENSERS

DISPENSE-RITE SLR Series cup dispensers feature quality ABS plastic construction combined with an interchangeable silicone baffle gasket system to accommodate a full range of cup sizes from 4 oz. to 44 oz.

A calibrated compression spring ensures one at a time dispensing in horizontal, angled or vertical mounting positions. The integrated mounting collar fully supports the dispenser in horizontal, angled or vertical mounting positions; no additional support is necessary. All models are NSF listed.

DISPENSE-RITE
interchangeable baffle
gasket system



The **SLR-1** is a **Slim-Line** model that is ideal for smaller cup sizes and tight spaces. The SLR-1 accepts 4 oz. to 24 oz. paper, plastic or foam cups with rim diameters from 2½"–3⅞". The SLR-1 model requires a 4½" hole cut-out and is great for many retrofit applications as it combines dispensing flexibility with space savings.



The **SLR-2** is a **One-Size-Fits-All** model that offers maximum dispensing flexibility. This dispenser is designed to accommodate a variety of 8 oz. to 44 oz. paper, plastic or foam cups with rim diameters ranging in size from 3"–4½". This model comes in three under counter lengths: 22", 17" and 28". The SLR-2 models require a 5¼" hole.



Model Number	Cup Rim Diameter Range	Under Counter Length	Ring Bezel Diameter	Mounting Hole Cut-Out
SLR-1	2½"–3⅞"	22"	6⅞"	4½"
SLR-1S	2½"–3⅞"	17"	6⅞"	4½"
SLR-2	3"–4½"	22"	7⅞"	5¼"
SLR-2S	3"–4½"	17"	7⅞"	5¼"
SLR-2L	3"–4½"	28"	7⅞"	5¼"

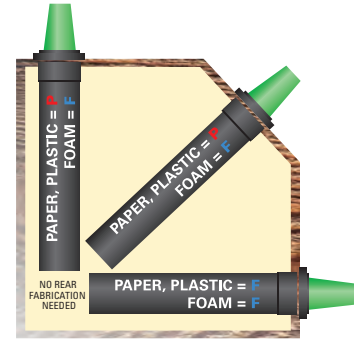
▽ IN-COUNTER INTERCHANGEABLE BAFFLE CUP DISPENSERS

SLR-1 AND SLR-1S SLIM-LINE
IN-COUNTER INTERCHANGEABLE BAFFLE CUP DISPENSERS

The SLR-1 accepts a variety of 4 oz. to 24 oz. paper, plastic or foam cups with rim diameters from 2½"–3⅞". This model requires a 4½" hole cut-out and is great for many retrofit applications as it combines dispensing flexibility with space savings.



Spring Configurations ▾



Cup Type	Position	Spring
Foam Cups	: Any Position	: F Spring
Paper Cups	: Horizontal	: F Spring
Plastic Cups	: Horizontal	: F Spring
Paper Cups	: Angled	: P Spring
Plastic Cups	: Angled	: P Spring
Paper Cups	: Vertical	: P Spring
Plastic Cups	: Vertical	: P Spring

Dispensers ship with both the "F" and "P" compression springs.

Single spring models are available; see price list for additional information.

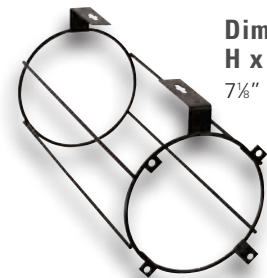
Color Ring Bezels ▾

Optional colored ring bezels are available for SLR-2 Series cup dispensers in this popular color:



- SILVER SATIN (stainless faux finish)

Under Counter Bracket ▾



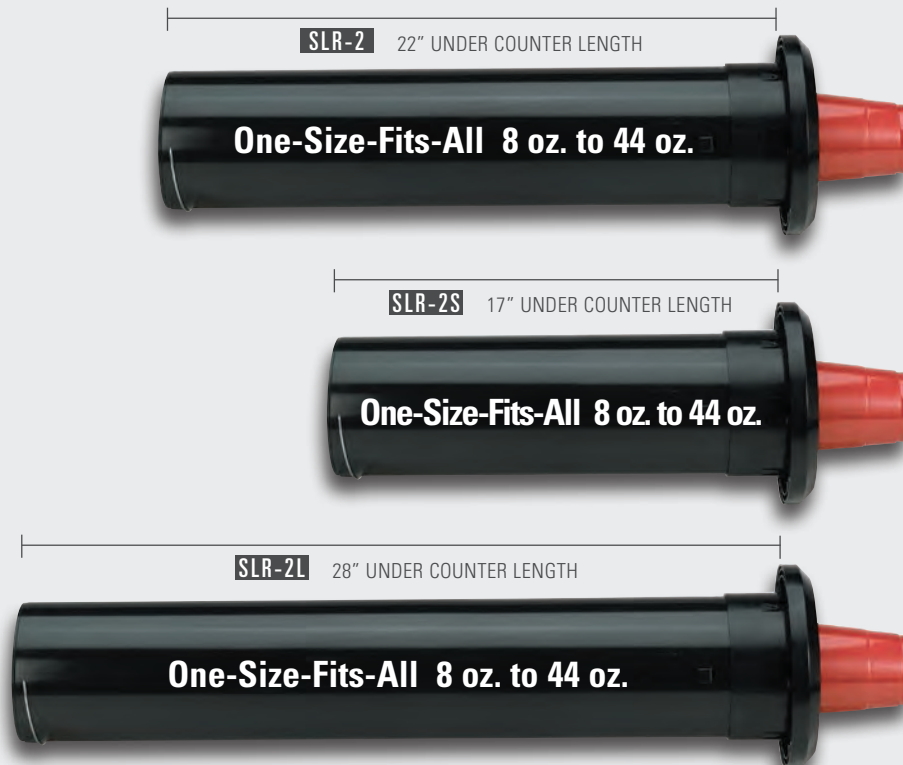
Dimensions
H x W x D
7½" x 6" x 15¼"

The optional **STL-2-SMB** wire surface mount bracket mounts to any flat surface or wire shelf and allows you to mount a SLR-2 cup dispenser in horizontal, vertical or angled positions. Maximum counter lip is 1/2".

SLR-2, SLR-2S AND SLR-2L ONE-SIZE-FITS-ALL
IN-COUNTER INTERCHANGEABLE BAFFLE CUP DISPENSERS

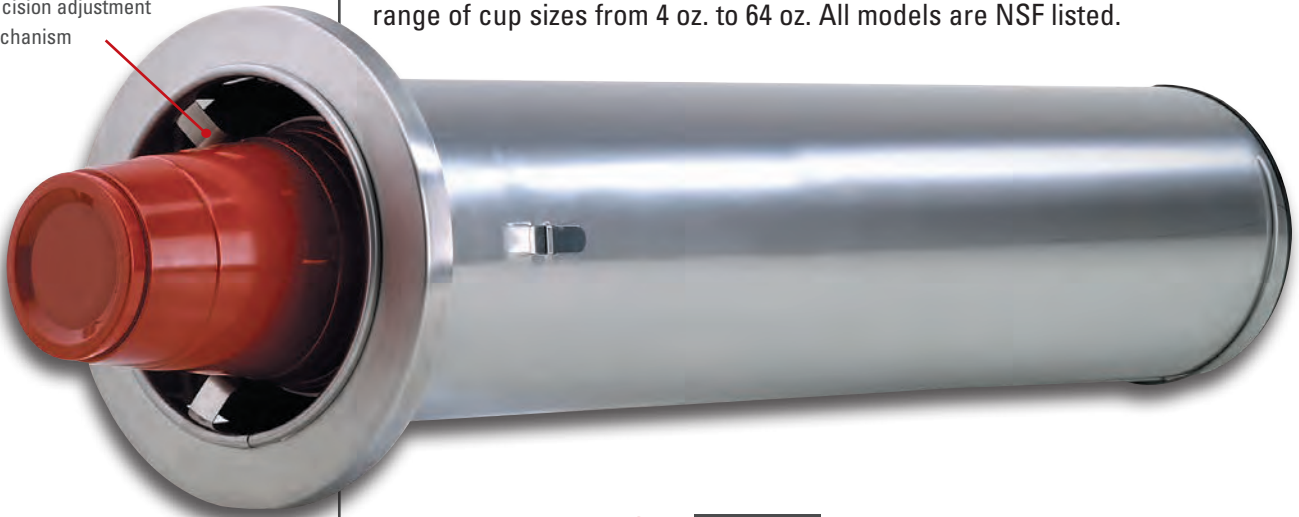
These dispensers accommodate a variety of 8 oz. to 44 oz. paper, plastic or foam cups with rim diameters ranging in size from 3"–4½". The SLR-2 models require a 5¼" hole.

With three under counter lengths to choose from the SLR-2 cup dispenser can be ordered to suit your particular installation requirements.



PRECISION ADJUSTMENT DISPENSING FLEXIBILITY

DISPENSE-RITE
exclusive spring-clip
precision adjustment
mechanism



ADJ SERIES IN-COUNTER ADJUSTABLE CUP DISPENSERS

DISPENSE-RITE ADJ Series cup dispensers feature quality stainless steel construction with a quick release mounting collar. These dispensers utilize an exclusive spring-clip precision adjustment mechanism to accommodate a full range of cup sizes from 4 oz. to 64 oz. All models are NSF listed.

The **ADJ-1** and **ADJ-1.50** are **Slim-Line** models for small cup sizes and tight spaces. The ADJ-1 is designed to accommodate 4 oz. to 12 oz. paper, plastic or foam cups with rim diameters ranging in size from 2½"–3½". The ADJ-1 model requires a small 4" hole cut-out and is ideal for many retrofit applications. The ADJ-1.50 is designed to accommodate 8 oz. to 24 oz. paper, plastic or foam cups with rim diameters ranging in size from 3"–3¾". The ADJ-1.50 model requires a 4½" hole cut-out.

The **ADJ-2** is our most popular cup dispenser. This is a **One-Size-Fits-All** model that offers maximum dispensing flexibility. This unit is designed to accommodate a variety of 8 oz. to 44 oz. paper, plastic or foam cups with rim diameters ranging in size from 3"–4⅝". This model comes in two under counter lengths: 22" or 19". The ADJ-2 models require a 5¼" hole cut-out.

The **ADJ-3** is the ideal dispenser for **Jumbo-Size** drink cups and deli containers. This dispenser is designed to accommodate 44 oz. to 64 oz. paper, plastic or foam cups with rim diameters ranging in size from 4½"–5¼". The ADJ-3 model requires a larger 5¾" hole cut-out.

NSF

RING BEZEL DIAMETER



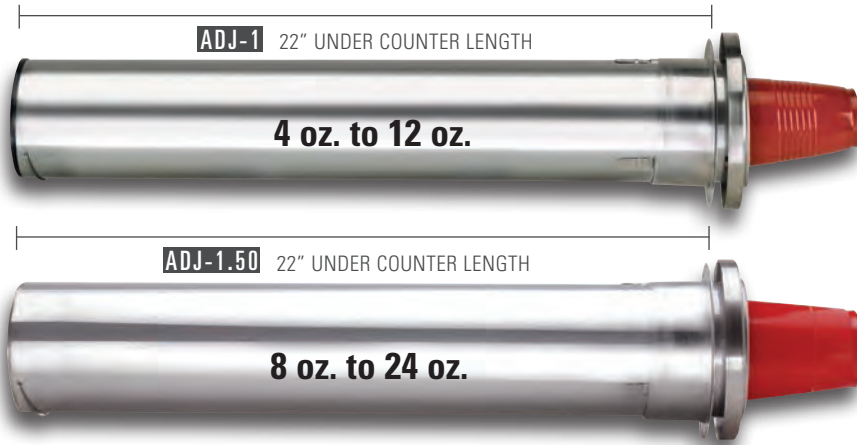
MOUNTING HOLE
CUT OUT

Model Number	Cup Rim Diameter Range	Under Counter Length	Ring Bezel Diameter	Mounting Hole Cut-Out
ADJ-1	2½"–3½"	22"	5⅝"	4"
ADJ-1.50	3"–3¾"	22"	5⅝"	4½"
ADJ-2	3"–4⅝"	22"	6⅞"	5¼"
ADJ-2S	3"–4⅝"	19"	6⅞"	5¼"
ADJ-3	4½"–5¼"	22"	7⅞"	5¾"

STAINLESS STEEL CONSTRUCTION

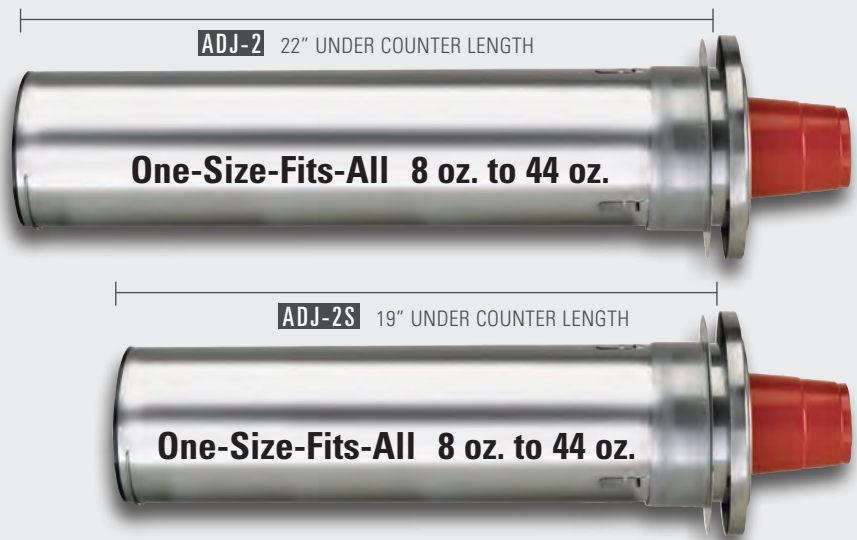
ADJ-1 AND ADJ-1.50 SLIM-LINE CUP DISPENSERS

The ADJ-1 is designed to accommodate 4 oz. to 12 oz. paper, plastic or foam cups with rim diameters ranging in size from 2½"–3½". The ADJ-1.50 is designed to accommodate 8 oz. to 24 oz. paper, plastic or foam cups with rim diameters ranging in size from 3"–3½".



ADJ-2 AND ADJ-2S ONE-SIZE-FITS-ALL CUP DISPENSERS

These dispensers are designed to accommodate a variety of 8 oz. to 44 oz. paper, plastic or foam cups with rim diameters ranging in size from 3"–4½".

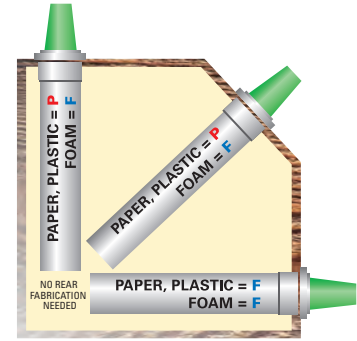


ADJ-3 JUMBO-SIZE CUP DISPENSERS

This dispenser is designed to accommodate 44 oz. to 64 oz. paper, plastic or foam cups with rim diameters ranging in size from 4½"–5¼".



Spring Configurations ▽



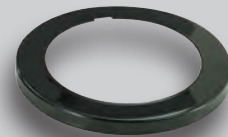
Cup Type	Position	Spring
Foam Cups	: Any Position	: F Spring
Paper Cups	: Horizontal	: F Spring
Plastic Cups	: Horizontal	: F Spring
Paper Cups	: Angled	: P Spring
Plastic Cups	: Angled	: P Spring
Paper Cups	: Vertical	: P Spring
Plastic Cups	: Vertical	: P Spring

Dispensers ship with both the "F" and "P" compression springs.

Single spring models are available; see price list for additional information.

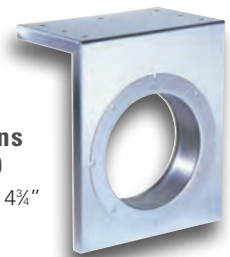
Color Ring Bezels ▽

Stainless ring bezels are standard on all models. Optional gloss black powder coated ring bezels are available for ADJ-2 Series cup dispensers.



- BUMPER BLACK (high gloss)
Available only for the ADJ-2 and ADJ-2S models

Under Counter Bracket ▽



Dimensions
H x W x D
9½" x 7¾" x 4¾"

The optional **UCMB-2** stainless steel under counter bracket mounts to any flat surface or wire shelf creating a face plate to mount an ADJ-2 cup dispenser. Maximum counter lip is 1½".

STAINLESS STEEL CONSTRUCTION

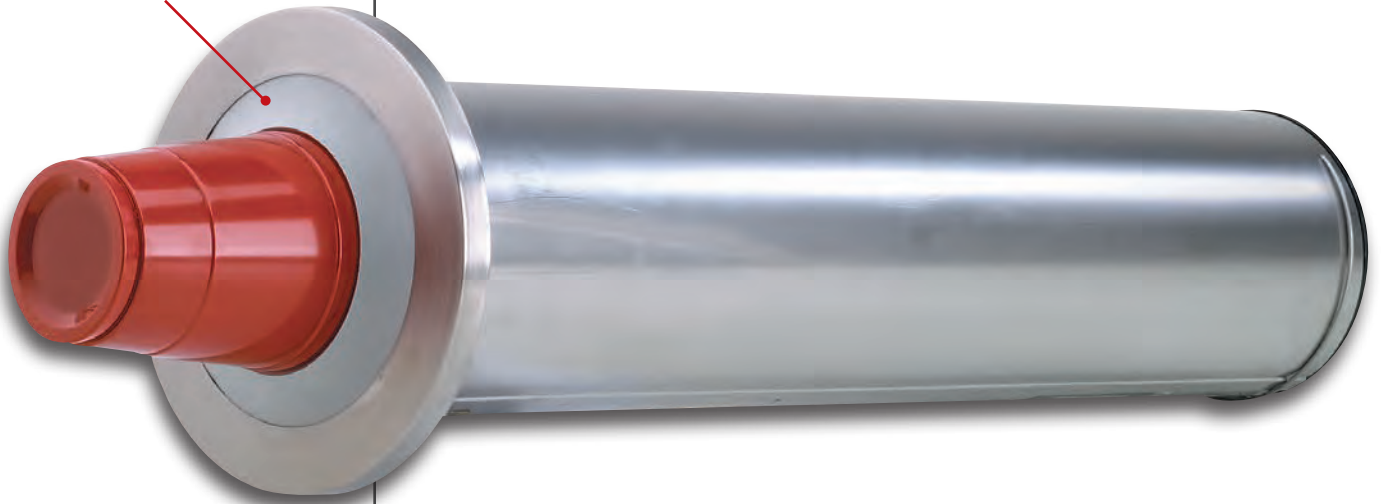
SELF-ADJUSTING DISPENSING FLEXIBILITY

BFL SERIES IN-COUNTER INTERCHANGEABLE BAFFLE CUP DISPENSERS

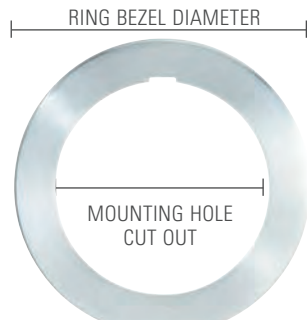
DISPENSE-RITE BFL Series cup dispensers feature quality stainless steel construction. These dispensers utilize an interchangeable silicone baffle gasket system to accommodate a full range of cup sizes from 8 oz. to 64 oz.

A calibrated compression spring ensures one at a time dispensing in horizontal, angled or vertical mounting positions. The quick-release mounting bracket fully supports the dispenser in horizontal, angled or vertical mounting positions and no additional support is necessary. All models are NSF listed.

DISPENSE-RITE
interchangeable baffle
gasket system



STAINLESS STEEL CONSTRUCTION



The **BFL-2** is a **One-Size-Fits-All** model that offers maximum dispensing flexibility. This unit is designed to accommodate a variety of 8 oz. to 44 oz. paper, plastic or foam cups with rim diameters ranging in size from 3"–4½". This model comes in two under counter lengths: 22" or 19". The BFL-2 models require a 5¼" hole cut-out.

The **BFL-3** is the ideal dispenser for **Jumbo-Size** drink cups and deli containers. This unit is designed to accommodate a variety of 44 oz. to 64 oz. paper, plastic or foam cups with rim diameters ranging in size from 4½"–5¼". The BFL-3 model requires a larger 5¾" hole cut-out.

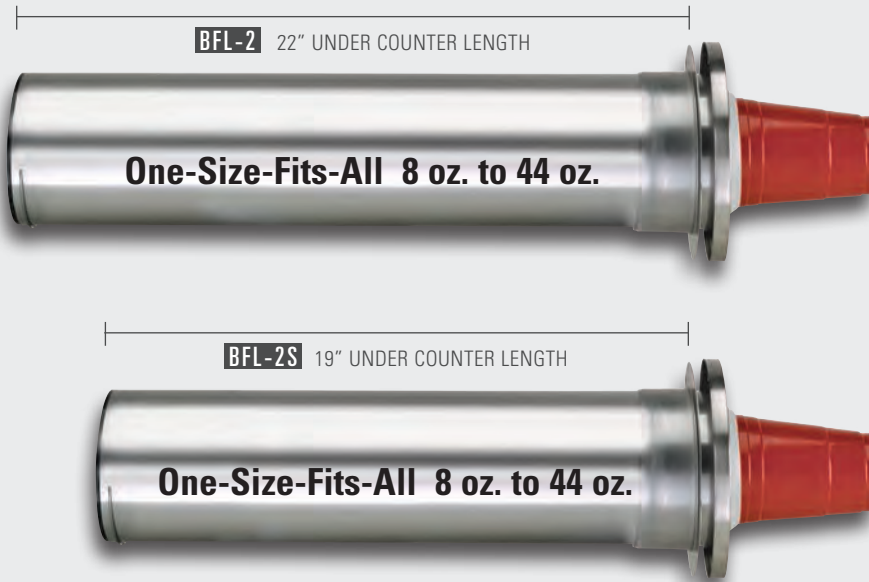
Model Number	Cup Rim Diameter Range	Under Counter Length	Ring Bezel Diameter	Mounting Hole Cut-Out
BFL-2	3"–4½"	22"	6⅝"	5¼"
BFL-2S	3"–4½"	19"	6⅝"	5¼"
BFL-3	4½"–5¼"	22"	7⅞"	5¾"

▽ **IN-COUNTER INTERCHANGEABLE BAFFLE CUP DISPENSERS**

BFL-2, BFL-2S ONE-SIZE-FITS-ALL
IN-COUNTER INTERCHANGEABLE BAFFLE CUP DISPENSERS

These dispensers are designed to accommodate a variety of 8 oz. to 44 oz. paper, plastic or foam cups with rim diameters ranging in size from 3"–4½".

With two under counter lengths to choose from the BFL-2 cup dispenser can be ordered to suit your particular installation requirements.



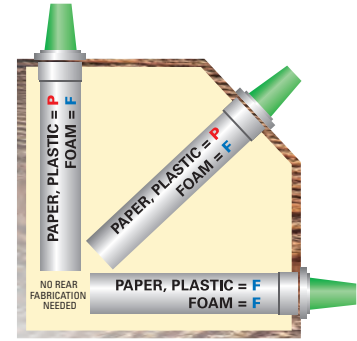
BFL-3 JUMBO-SIZE
IN-COUNTER INTERCHANGEABLE BAFFLE CUP DISPENSERS

This dispenser is designed to accommodate 44 oz. to 64 oz. paper, plastic or foam cups with rim diameters ranging in size from 4½"–5¼".



- Above models include multiple silicone baffles and are for use with the cup rim diameter range listed. Ounce capacities are provided for reference only. Always verify cup rim diameter prior to ordering.
- Above models ship with 2 different compression springs "F" & "P". See spring configuration chart in upper right for more details.

Spring Configurations ▾



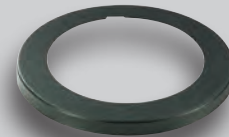
Cup Type	Position	Spring
Foam Cups	: Any Position	: F Spring
Paper Cups	: Horizontal	: F Spring
Plastic Cups	: Horizontal	: F Spring
Paper Cups	: Angled	: P Spring
Plastic Cups	: Angled	: P Spring
Paper Cups	: Vertical	: P Spring
Plastic Cups	: Vertical	: P Spring

Dispensers ship with both the "F" and "P" compression springs.

Single spring models are available; see price list for additional information.

Color Ring Bezels ▾

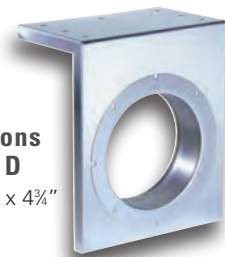
Stainless ring bezels are standard on all models. Optional gloss black powder coated ring bezels are available for BFL-2 Series cup dispensers.



- **BLACK RIDGE** (matte textured)

Available only for the BFL-2 and BFL-2S models

Under Counter Bracket ▾



Dimensions
H x W x D
9¼" x 7¾" x 4¾"

The optional **UCMB-2** stainless steel under counter bracket mounts to any flat surface or wire shelf creating a face plate to mount a BFL-2 cup dispenser. Maximum counter lip is 1¼".

STAINLESS STEEL CONSTRUCTION

LID DISPENSING FLEXIBILITY SIMPLIFIED

ABS PLASTIC CONSTRUCTION

DISPENSE-RITE
lid dispenser design
requires no adjustment
and provides easy one
handed operation



SLR-LID-2

SLR-LID-2 SERIES IN-COUNTER SPRING-LOADED LID DISPENSERS

DISPENSE-RITE SLR-LID-2 Series lid dispensers are designed to combine simplicity with dependability for long-term reliability and maximum cost savings.

This sanitary beverage lid dispenser requires no adjustment and is available for a variety of in-counter and countertop applications. Lid stacks are enclosed to protect from potential contamination due to spills, splashes and sneezes. All parts are easily removable for simple cleaning. NSF Listed.

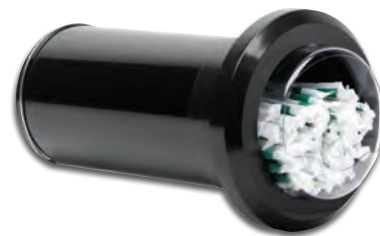
IMPORTANT INFORMATION ON LID COMPATIBILITY

DISPENSE-RITE SLR-LID-2 Series Lid Dispensers are primarily intended for use with flat, cold beverage lids. Lids that are tightly nested or have deep extrusions may not be compatible. To confirm lid compatibility please contact a DISPENSE-RITE representative and provide a full sleeve of lids for testing prior to ordering.



SLR-STRAW-2 IN-COUNTER STRAW ORGANIZER

The SLR-STRAW-2 in-counter straw organizer holds standard and jumbo length straws. These straw organizers look great with any SLR Series lid or cup dispenser. All parts are easily removable for simple cleaning. NSF Listed.



SLR-STRAW-2

Model Number	Maximum Lid Diameter	Under Counter Length	Ring Bezel Diameter	Mounting Hole Cut-Out
SLR-LID-2	4 5/8"	22"	7 1/8"	5 1/4"
SLR-LID-2S	4 5/8"	17"	7 1/8"	5 1/4"
SLR-STRAW-2	-	12"	7 1/8"	5 1/4"

▽ UNDER COUNTER CUP DISPENSER MOUNTING BRACKETS

BLACK POLYSTYRENE CONSTRUCTION



UCMB-1BT



UCMB-2BT



UCMB-3BT



UCMB-2BT under counter mounting bracket shown above with two SLR-2 Series in-counter cup dispensers (not included) installed. UCMB Series brackets allows for installation to any flat surface.

▽ UCMB Bracket Cup Dispenser Compatibility



STL-2

SLR-2

BFL-2

ADJ-2

All **DISPENSE-RITE** one-size-fits-all cup dispenser models are compatible with UCMB Series under counter mounting brackets. This includes any STL-2, SLR-2, BFL-2 and/or ADJ-2 Series in-counter cup dispenser.

GREAT FOR MOUNTING IN-COUNTER CUP DISPENSERS UNDER THE COUNTER

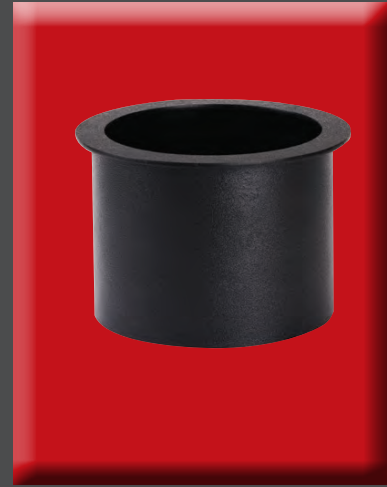
UCMB SERIES UNDER COUNTER CUP DISPENSER MOUNTING BRACKETS

Under counter mounting brackets feature durable polystyrene construction. These unique brackets will allow you to mount one or more one-size-fits-all in-counter cup dispensers to any flat surface.

Brackets are available to mount one, two or three STL-2, SLR-2, BFL-2 and/or ADJ-2 Series cup dispensers.

The maximum acceptable counter lip is 1-5/8"H.

Model Number	Item Description	Dimensions H x W x D
UCMB-1BT	1 Hole Under Counter Bracket	9½" x 8" x 5"
UCMB-2BT	2 Hole Under Counter Bracket	9½" x 15½" x 5"
UCMB-3BT	3 Hole Under Counter Bracket	9½" x 23½" x 5"



DISPENSE-RITE®

Export Representatives:

E.D.A. International Corp.

4907 SW 75th Ave.

Miami, FL 33155, USA

Phone: (305) 669-1894

Fax: (305) 669-1797

e-mail : sales@edainternational.com

www.edainternational.com

DISPENSE-RITE is pleased to offer the world's largest selection of dispensing products. We offer a complete selection of products for cups, lids, straws, condiments, napkins, coffee sleeves, flatware, bottles and ice cream cones.



PROUDLY MADE IN USA

